



NBG-12LR and NBG-12LRA Agent Release Pull Station

Patented, U.S. Patent No. Des. 428,351; 6,380,846; Other Patents Pending

Document 51369

156-2276-003

Description

The NBG-12LR and NBG-12LRA Agent Release Pull Stations are designed for use with Notifier control panels that include releasing capabilities. These stations are ideally suited for areas such as clean rooms and computer rooms, where a chemical agent is used to extinguish a fire. Both pull stations provide a dual-action, normally open contact (N/O), release initiating point with a key-lock reset feature. The NBG-12LRA also includes a manual abort switch, System Normal LED, and System Activated (release) LED. Both stations meet the ADAAG controls and operating mechanisms guidelines (section 4.1.3[13]), and the ADA requirement for a 5 lb. maximum pull force to activate the pull station. Operating instructions are molded into the pull station handle along with Braille text. Molded terminal numbers are also present.

Ratings

Switch contact (N/O) is gold plated for reliability and rated at 0.25 A at 30 volts (AC or DC).

Installation

The NBG-12LR pull station can be surface mounted to an SB-10 or SB-I/O surface backbox or semi-flush mounted on a standard single-gang, double-gang or 4" (10.16 cm) square electrical box. The optional BG-TR trim ring can be used if the NBG-12LR is to be semi-flush mounted. The NBG-12LRA must be surface-mounted to a SBA-10 backbox.

Operation

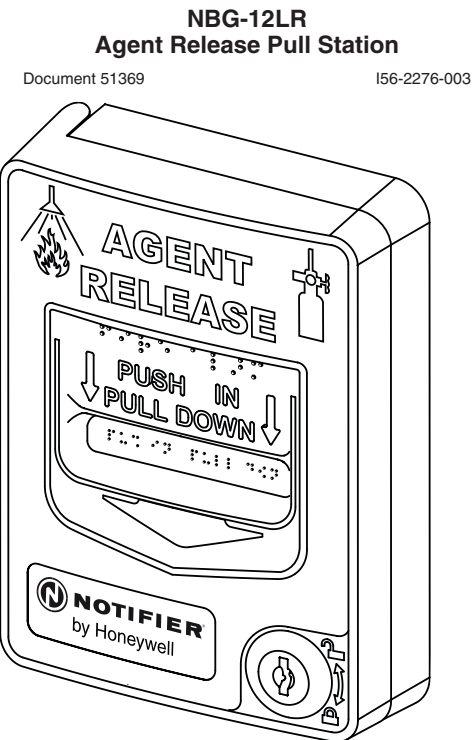
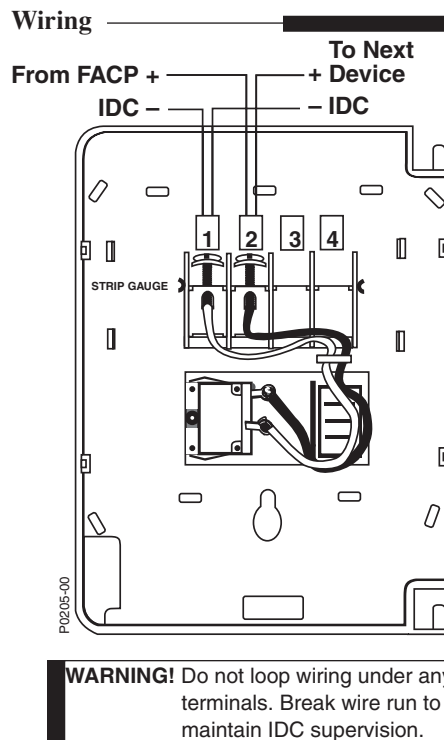
To initiate an agent release, push in and pull down on the handle. The word 'ACTIVATED' appears after the handle is pulled down. This will remain until the pull station is reset.

The pull station includes one Single Pole, Single Throw (SPST) Normally Open (N/O) switch which closes upon activation of the pull station.

Resetting the Pull Station

1. Insert the key into the lock and rotate 1/4 turn counterclockwise.
2. Open the door until the handle returns to normal.
3. Close and lock the door.

NOTE: Closing the door automatically resets the switch to the 'Normal' position. Opening the door will not activate or deactivate the alarm switch.



CAUTION! Do not detach the door of the pull station during installation. The door of the pull station cannot be reattached to the backplate after the backplate has already been installed onto an electrical box.

CAUTION!

Install the Notifier NBG-12LR and NBG-12LRA pull station in accordance with these instructions, applicable NFPA standards, national and local Fire and Electrical codes and the requirements of the AHJ (Authority Having Jurisdiction). Regular testing of the devices should be conducted in accordance with the appropriate NFPA standards. Failure to follow these directions may result in failure of the device to report an alarm condition. Notifier is not responsible for devices that have been improperly installed, tested or maintained.

ADA Compliance

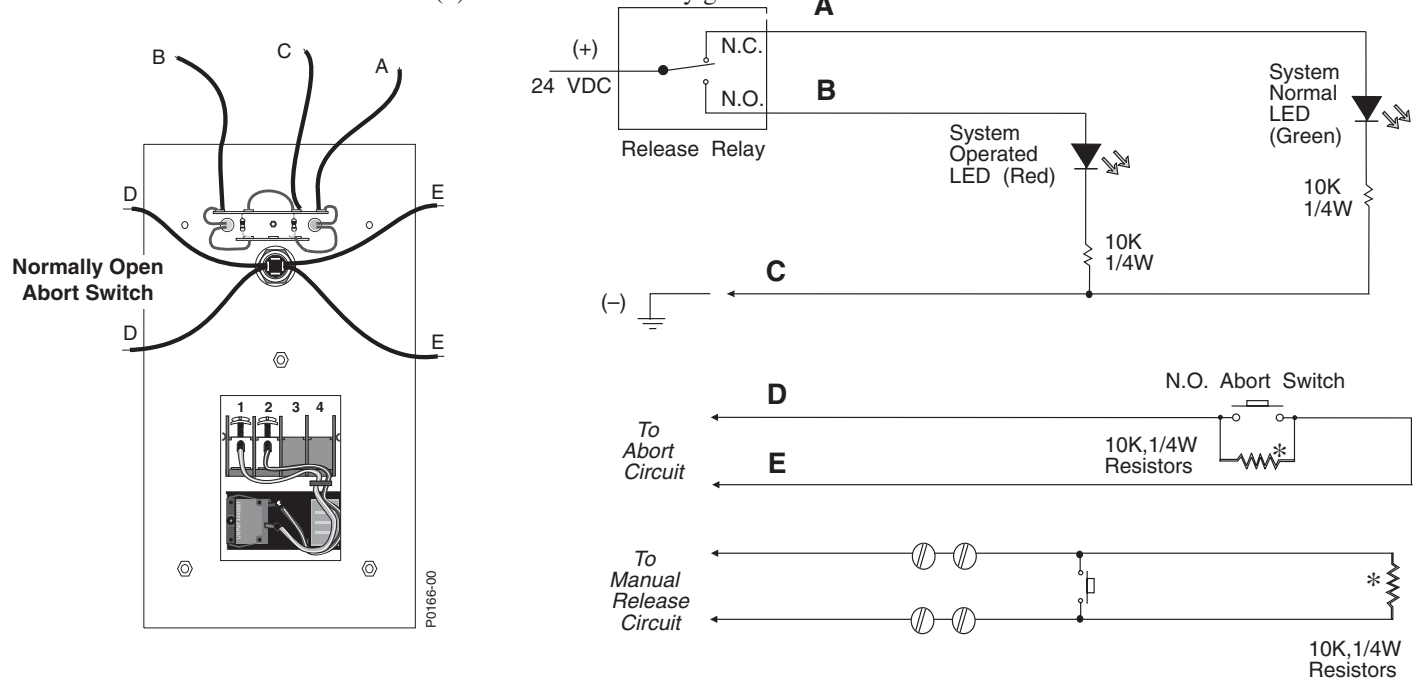
For ADA compliance, if the clear floor space only allows forward approach to an object, the maximum forward reach height allowed is 48 inches (121.92 cm). If the clear floor space allows parallel approach by a person in a wheelchair, the maximum side reach allowed is 54 inches (137.16 cm).

Abort Feature (NBG-12LRA only)

The operation and reset of the NBG-12LRA agent release pull station is the same as the NBG-12LR, with the addition of the Abort Feature: The System Normal LED will stay illuminated when the Agent Release Control Panel is "All Systems Normal." When the station has been activated, initiating the agent release process in the control panel, the System Activated LED will illuminate. If the control panel has been configured to abort the releasing of an extinguishing agent, then pushing and holding-in the abort switch will cancel the agent release sequence. Please refer to the respective agent release control panel manual for further instructions about using the Abort feature.

Abort Plate Wiring (NBG-12LRA only)

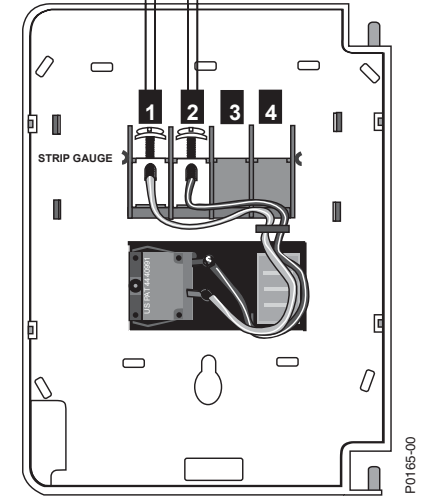
Connect the wiring from the agent release control panel's Abort Circuit to the wire leads D&E of the normally open abort switch. Connect 24 VDC (+) to a form-c relay, this relay shall be called the Release Relay. Connect the relay's normally closed contact to the System Normal LED wire lead A. Connect the relay's normally open contact to the System Activated LED wire lead B. Connect the 24 VDC (-) to the LED assembly ground wire C.



WARNING

When used for CO₂ releasing applications, observe proper precautions as stated in NFPA 12. Do not enter the protected space unless physical lockout and other safety procedures are fully completed. Do not use software disable functions in the panel as lockout. For ADA compliance, if the clear floor space only allows forward approach to an object, the maximum forward reach height allowed is 48 inches (121.92cm). If the clear floor space allows parallel approach by a person in a wheelchair, the maximum side reach height allowed is 54 inches (137.16cm).

From agent release control panel's manual release circuit or previous agent release initiating device +
- To next agent release initiating device or ELR if last device on circuit



*Mount End of line resistor on last unit.